

SPECIFICATIONS

Mechanical

Mating Force: 3.50Kg (7.71Lb) max.
Unmating Force: 1.00Kg (2.20Lb) min.
Durability: 1500 Cycles

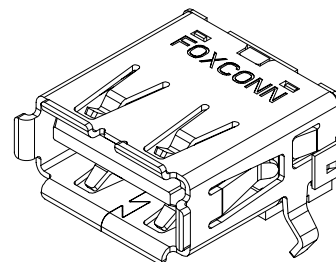
Electrical

Current Rating: 1.5A
Contact Resistance: 30mΩ max.
Dielectric Withstanding Voltage: 500V AC/1min min.
Insulation Resistance: 1000MΩ min.

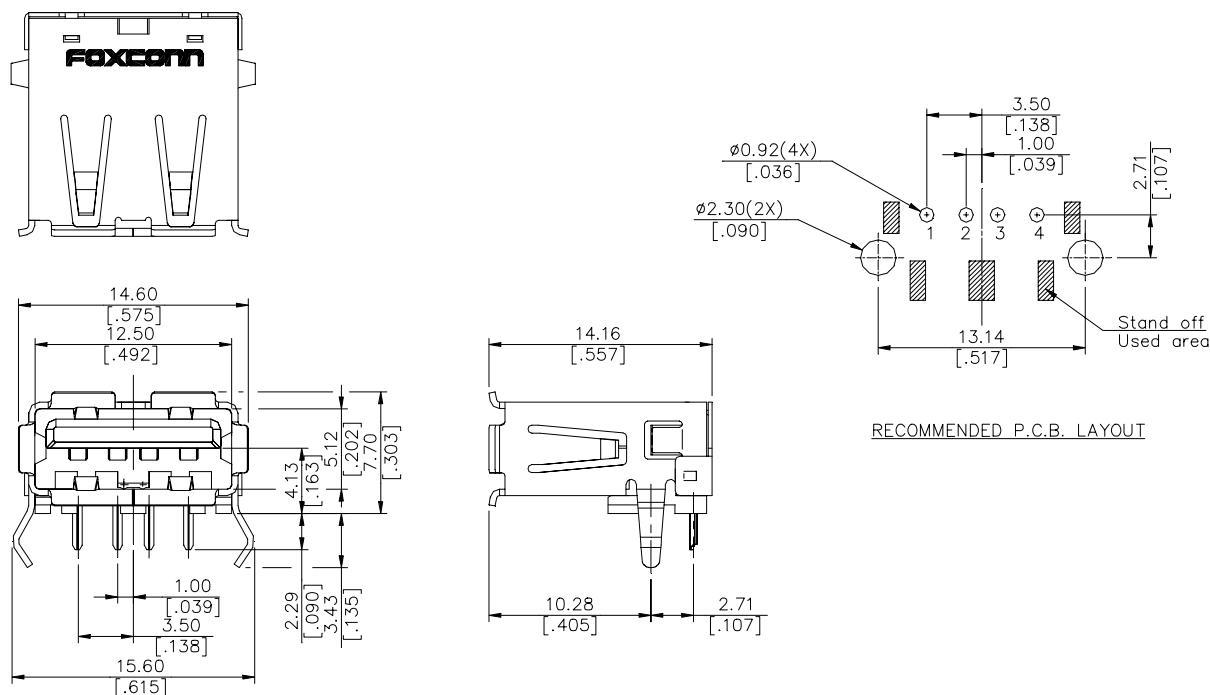
Physical

Housing: Thermoplastic, UL 94V-0 rated
Contact and Shell: Copper alloy
Plating: See "ORDERING INFORMATION"
Operating Temperature: -55 to +85

UB Series
Right Angle, T/H
4 Pos.



DRAWING



ORDERING INFORMATION

PRODUCT NO.: UB 1 1 1 2 *-4K1-4 F

USB Series
 USB A Type
 Termination Type
 0= Straight
 1= Right Angle
 3= Up Right
 5= SMT
 Contact Design Type
 1= Female
 No. of Pos
 1= 4 Pos
 Profile Height
 2= 4.13 [.163]
 3= 6.50 [.256]

Lead Free Type
 F= Lead Free

Package Code
 4= Soft Tray

Modification Code

Contact Area Plating
 3= 30u" Gold
 C= 30u" Pd/Ni+Gold Flash

UB1112C-4K1-4F	30u" Pd/Ni+GOLD FLASH AT CONTACT AREA
UB11123-4K1-4F	30u" GOLD PLATED AT CONTACT AREA
P/N	PLATING